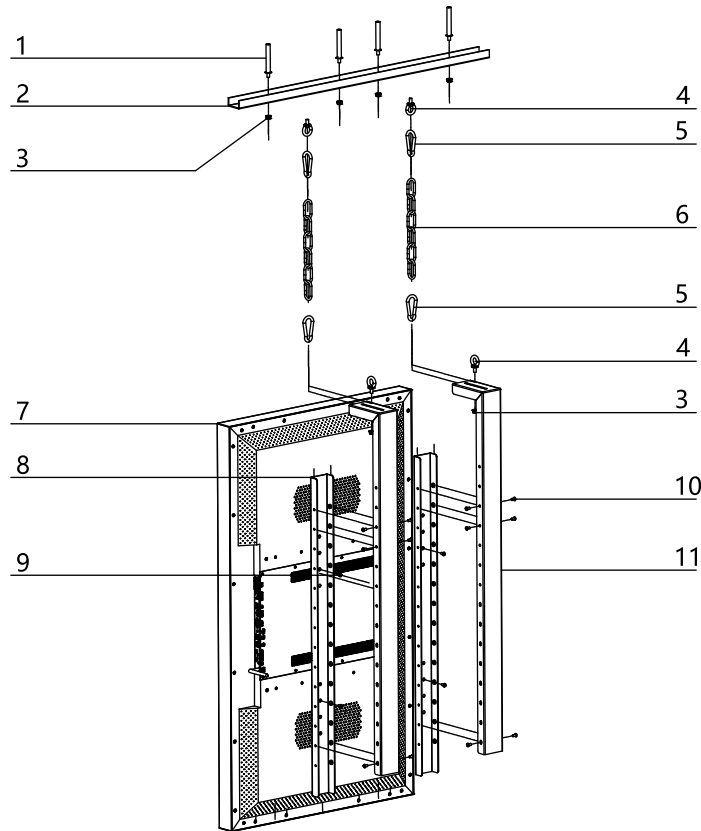


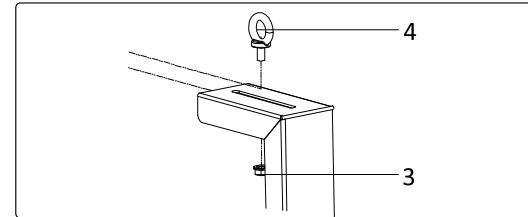
# AS955CEL Installation Guide



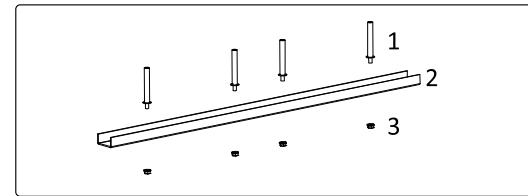
## CheckList

1.	4 x M8 Expansion Bolt	7.	1 x 55" Demo Screen
2.	1 x Ceiling Fixing Bar	8.	2 x Bracket Part A
3.	6 x M8 Flange Nut	9.	4 x M6 VESA Screws; 4 x M8 VESA Screws
4.	4 x M8 Hanging Hook	10.	12 x M6 Fixing Screws
5.	4 x Snap Hook	11.	2 x Bracket Part B
6.	2 x 2m Chains		

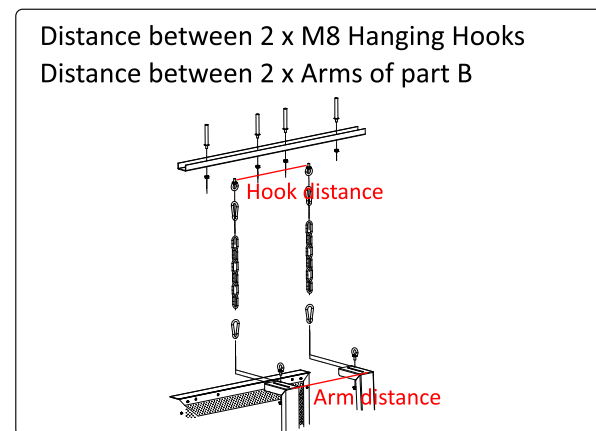
1. Mount Item 8 onto the back of screen via Item 9, choose from M6 or M8.
2. Ensure Part B stays in the middle at back of screen with no bracket ends sticking out from vertical/horizontal directions. If have to stick out from one side, suggest top.
3. Combine Items 3 and 4 on top of Item 11.



4. Mount Item 8 onto Item 11, then calibrate the mount position. Use Item 10 to secure bracket Parts A and B. P.S. 12 securing screws in total, 6 for each arm.
5. Use Items 1 and 3 to mount Item 2 onto the ceiling.



6. Secure Item 4 onto Item 2. Please try to make two below distances as close as possible.



7. Use Items 5 and 6 to connect Hanging Hooks from steps 3 and 6.
8. Calibrate gravity point of screen via Hanging Hooks from step 2, secure the Flange Nut once balance point been found out.